

## TWIN BOOKCASE

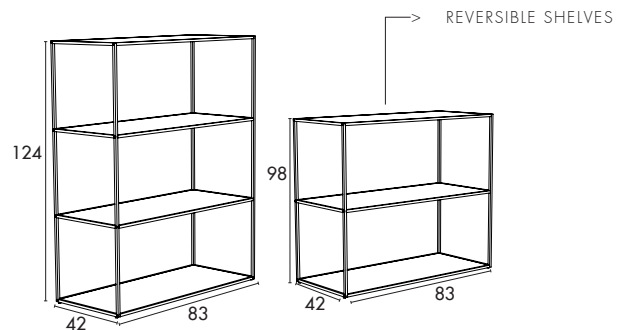
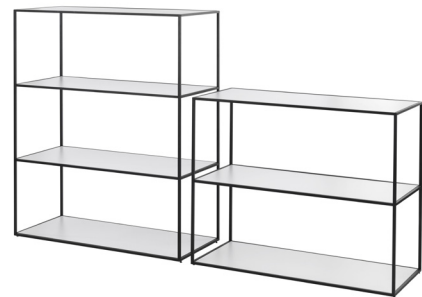
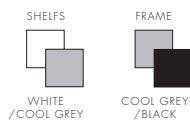


Twin Bookcase adds a touch of character and exclusivity to even the most unassuming of spaces. With a stringent powder coated steel frame and reversible shelves, the uncomplicated simplicity of the Twin Bookcase is a natural extension to the Twin Table series and references the defined, cubic shapes of the Frame storage boxes and other products in the by Lassen universe. The two-tone changeable surfaces of the shelves encourage individuality and provide a unique opportunity for personalised home styling. With no superfluous decorative details, the Twin Bookcase offers a clean, minimalistic and honest expression in the best Scandinavian tradition.

DESIGN  
by Lassen 2015

MATERIAL  
Lacquered steel, laminate

COLOUR



It is suggested that maximum load of the shelves does not exceed more than 60 kg

BY LASSEN  
HOLBERGSGADE 20  
1057 COPENHAGEN K  
DENMARK

+45 3616 8000  
INFO@BYLASSEN.COM